

## Features

- High intensity
- Wide viewing angle
- General purpose leads
- Reliable and rugged

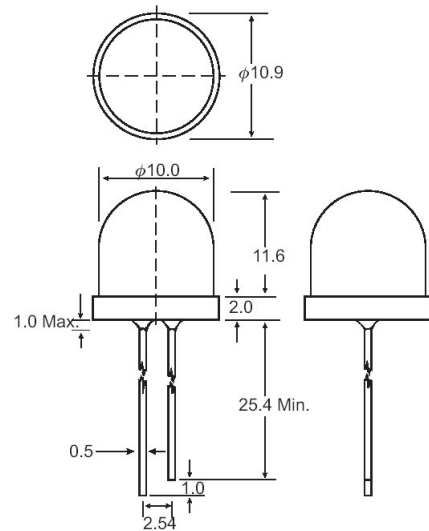
## Absolute Maximum Ratings at Ta=25°C

Parameter	Max.	Unit
Power Dissipation	100	mW
Peak Forward Current (1/10 Duty Cycle, 0.1ms Pulse Width)	100	mA
Continuous Forward Current	40	mA
Derating Linear From 50°C	0.4	mA / °C
Reverse Voltage	5	V
Operating Temperature Range	-40°C to +80°C	
Storage Temperature Range	-40°C to +80°C	
Lead Soldering Temperature [4mm(.157") From Body]	260°C for 5 Seconds	

### Notes:

1. All dimensions are in millimeters (inches).
2. Protruded resin under flange is 1.0mm (.04") max.
3. Lead spacing is measured where the leads emerge from the package.
4. Specifications are subject to change without notice.

## Package Dimensions



Unit: mm (inches)

Tolerance:  $\pm 0.25$ mm (.010") max

Part No.	Emitting Color	Lens Color	Peak Wavelength $\lambda_p$ (nm)	Vf (V) $I_f = 20$ mA (Note E1)		Iv (mcd) (Note E2)		Viewing Angle $2\theta_{1/2}$ (Deg) (Note E3)
				Min	Typ	Min	Typ	
EL-10R651	Red	Red Diffused	645	1.6	1.8	350	600	60
EL-10G651	Green	Green Diffused	568	1.7	2.2	150	320	60
EL-10Y651	Yellow	Yellow Diffused	590	1.7	2.0	350	850	60
EL-10R252	Red	Water Clear	645	1.6	1.8	450	2000	20
EL-10G252	Green	Water Clear	568	1.7	2.2	400	1100	20
EL-10Y252	Yellow	Water Clear	590	1.7	2.0	800	1800	20
EL-10R253	Red	Red Transparent	645	1.6	1.8	100	450	20
EL-10G253	Green	Green Transparent	568	1.7	2.2	400	1000	20
EL-10Y253	Yellow	Yellow Transparent	590	1.7	2.0	800	1800	20

### Parameter

Luminous Intensity

Dominant Wavelength

Peak Emission Wavelength

Viewing Angle

Spectral Line Half-Width

Forward Voltage

Reverse Current

### Test Condition

$I_f = 20$ mA (Note E1. Luminous intensity is measured with a light sensor and filter combination that approximates the CIE eye-response curve.)

$I_f = 20$ mA (Note E2: The dominant wavelength ( $\lambda_d$ ) is derived from the CIE chromaticity diagram and represents the single wavelength which defines the color of the device.)

$I_f = 20$ mA

(Note E3.  $\theta_{1/2}$  is the off-axis angle at which the luminous intensity is half the axial luminous intensity.)

$I_f = 20$ mA

$I_f = 20$ mA

$I_f = 20$ mA